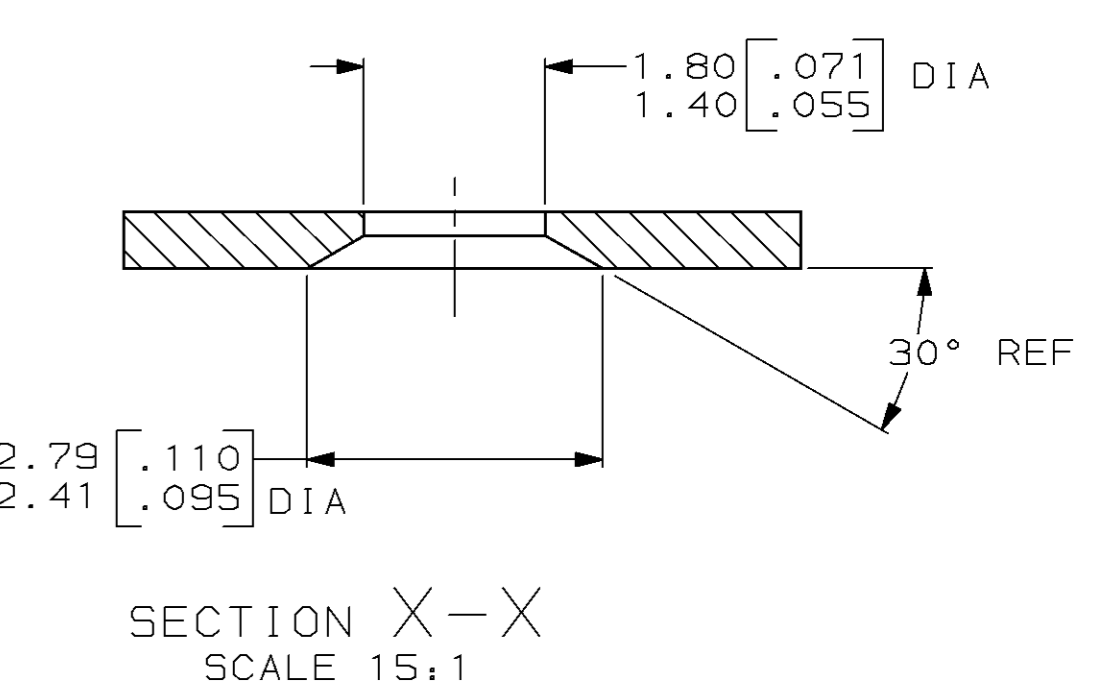
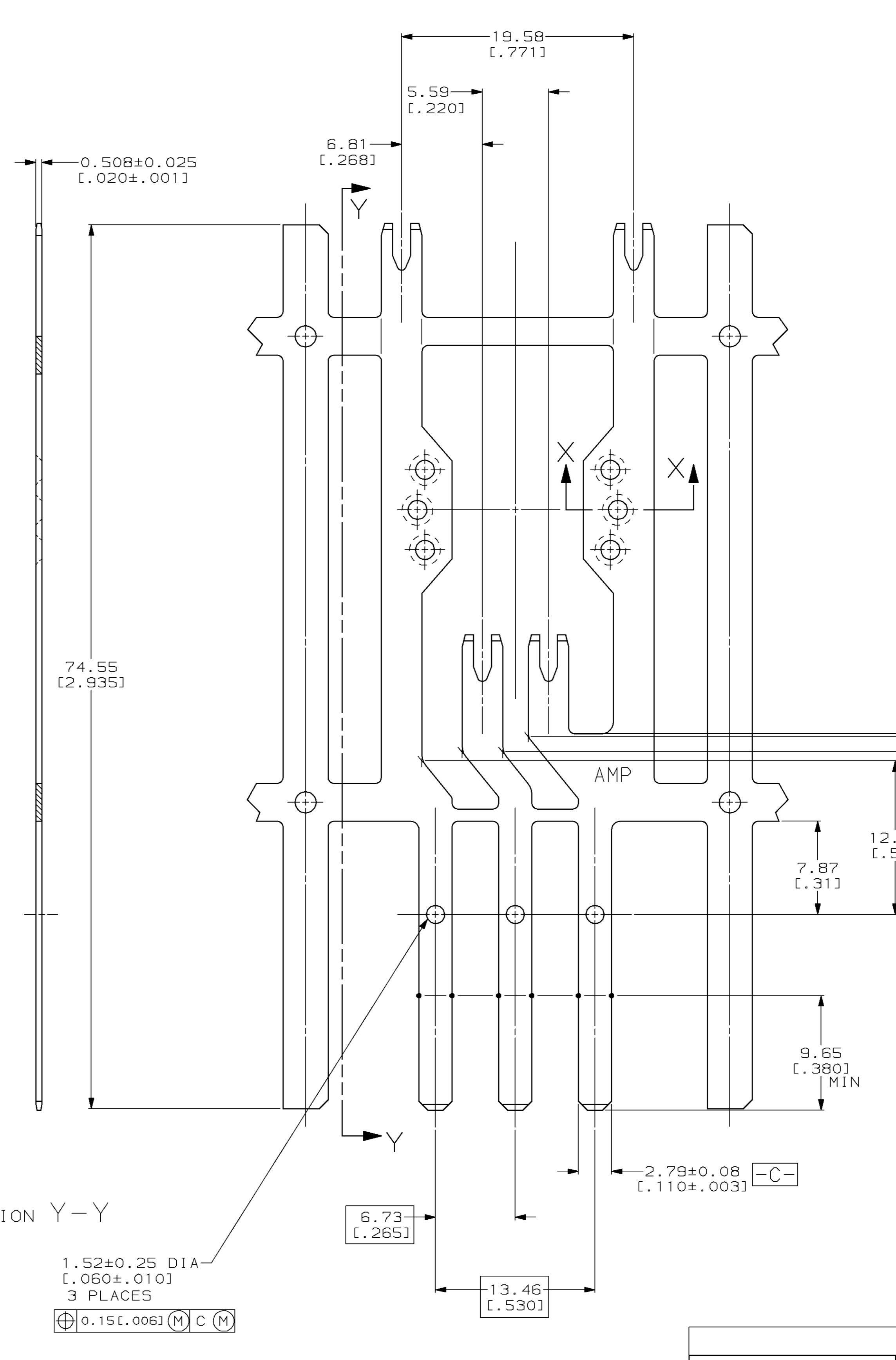
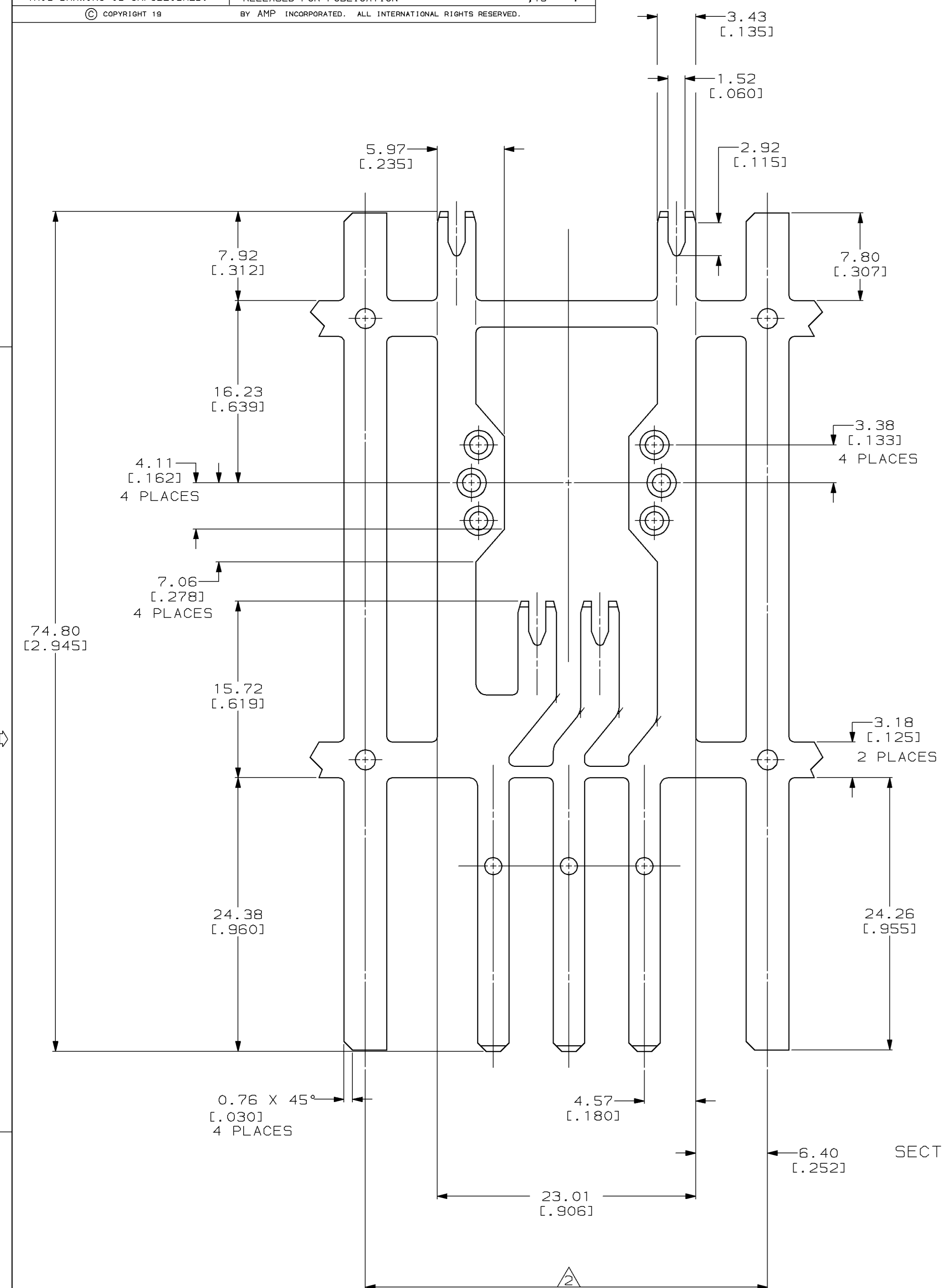


| LOC | | DIST | | P | | F | | ZONE | | LTR | | REVISIONS | | | |
|-----|----|------|--|---|--|---|--|------|--|-----|--|-------------|----------------------|-----------|-------|
| AF | 50 | | | | | | | | | | | DESCRIPTION | DATE | APPD | |
| | | | | | | | | | | | | F | REV PER 061A-0361-98 | 10-NOV-98 | DB/PS |

- 1 0.000406 (.000016) MIN TIN PER MIL-T-10727. LUBRICATED PER AMP SPEC. 112-2002-2.
- 2 CONTINUOUS STRIP ON REELS WITH TERMINALS LOCATED ON 35.81±0.08 [1.410±.003] CENTERS.



SECTION Y-Y

1.52±0.25 DIA
 [.060±.010]
 3 PLACES
 ⊕ 0.15 [.006] (M) C (M)

| | | | | | |
|--|--|------------------------------------|--|--------------------|-----------------------|
| DO NOT SCALE PRINT. UNLESS SPECIFIED DIMENSIONS IN mm [INCHES] TOLERANCES ON: 2 [2] PLC DEC ± 0.25 [.01] 2 [3] PLC DEC ± 0.13 [.005] ANGLES ± - | | DR 14/OCT/93 MICHAEL S. FEHER | AMP AMP Incorporated Harrisburg, PA 17105-3608 | | |
| MATERIAL #4M BRASS | | CHK 14/DEC/93 JEFF R. RUTH | | | |
| FINISH 1 | | APPD 15/DEC/93 NELSON E. NEFF | NAME CONNECTOR, BUSS BAR, TABS, 2.79[.110] AND POKE-IN, MAG-MATE™ | | |
| APPLIC. SPEC - | | APPD 15/DEC/93 TERRY L. SHUTTER | SIZE D | CAGE CODE 00779 | DRAWING NO C-63694 |
| WEIGHT - | | | SCALE 4:1 | SHEET 1 OF 1 | |

THIS DRAWING IS A CONTROLLED DOCUMENT FOR AMP INCORPORATED. IT IS SUBJECT TO CHANGE AND THE CONTROLLING ENGINEERING ORGANIZATION SHOULD BE CONTACTED FOR THE LATEST REVISION.